
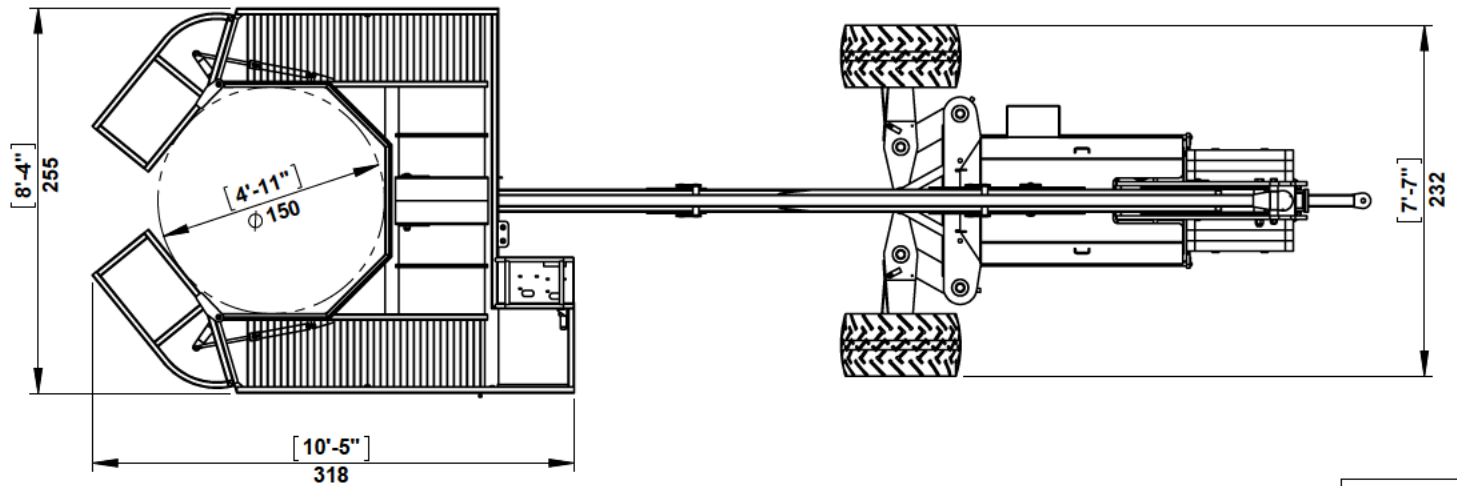
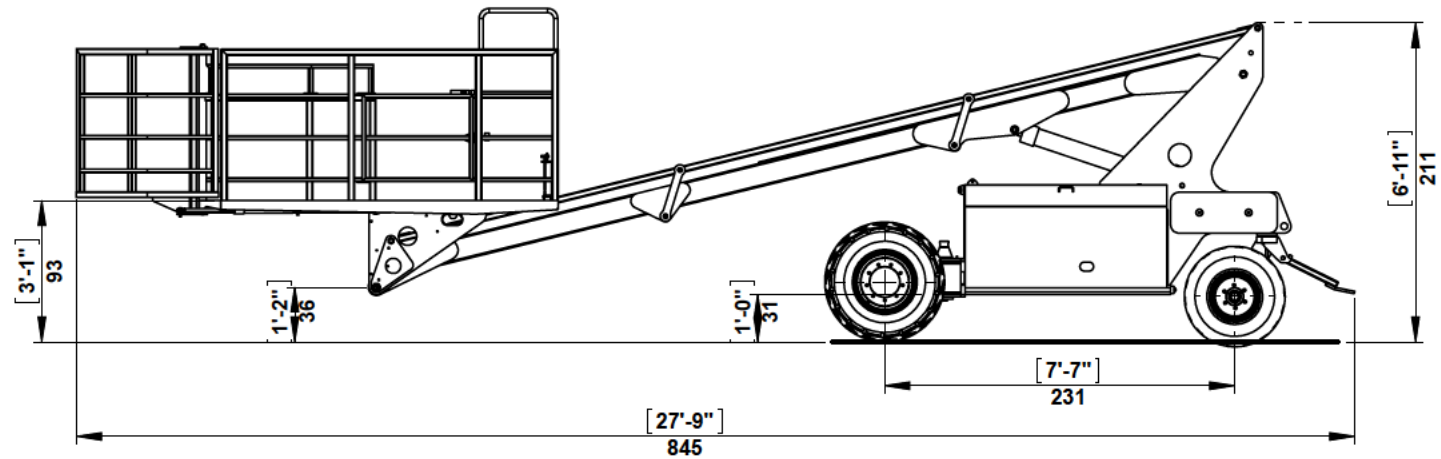


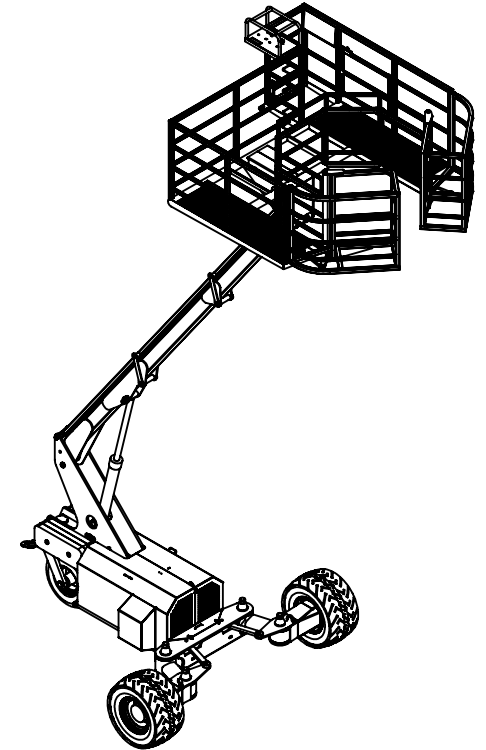
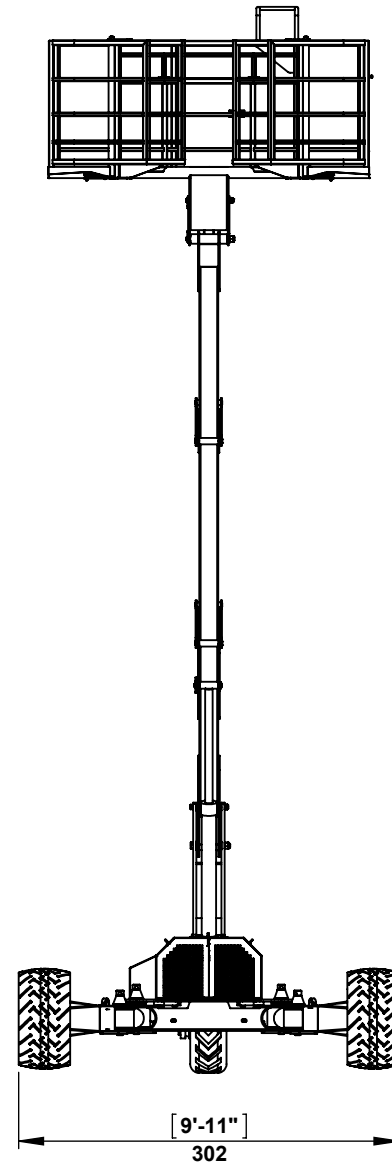
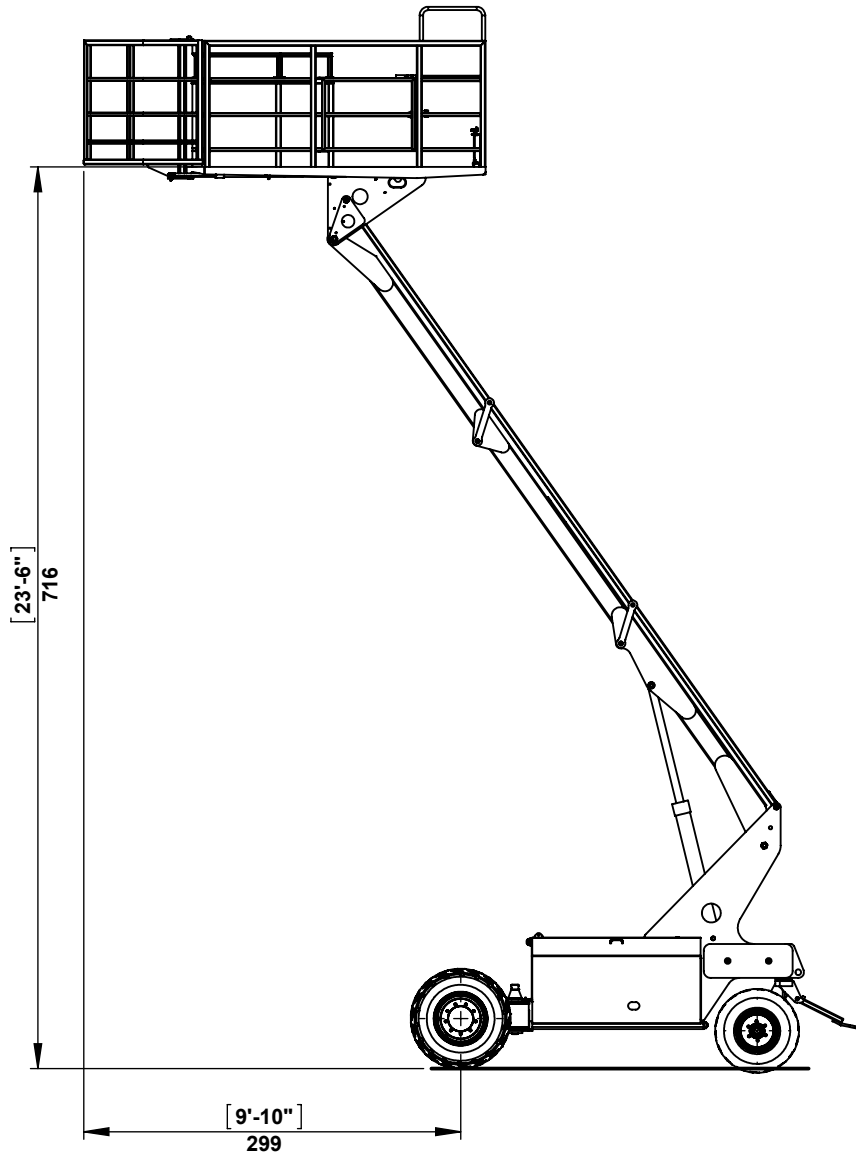
All proprietary rights reserved by TOL Incorporated. This drawing shall not be reproduced or in any way utilized, for the manufacture of the component or unit here in illustrated and must not be replaced to other parties without written consent by TOL Incorporated. Any infringement will be legally pursued.

Machine model:	Platform HAS 900ZP	
Dimension drawing	Version: 03.2015.00	
As our policy is one of continuous improvement we reserve the right to change specification without notice and without incurring obligation.	Scale: 1:35	
	Date: March 2015	
Machine dimension may vary according to special option, tractor size (kit models), or special feature.	Sheet: 1 of 4	
	All dimensions are rounded	
Remarks: All dimensions are in dual properties: feet-inches & centimeters		



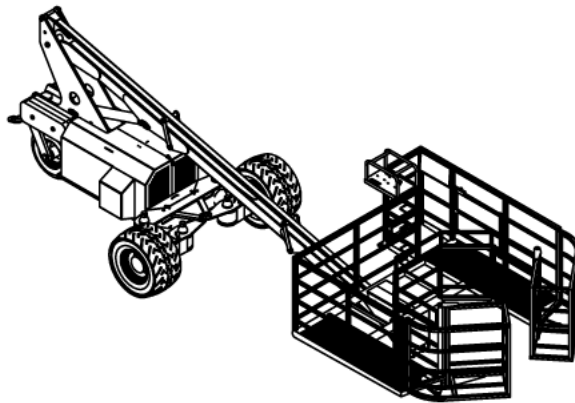
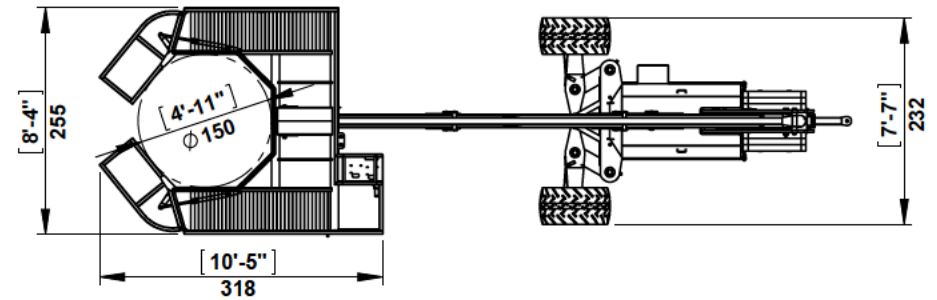
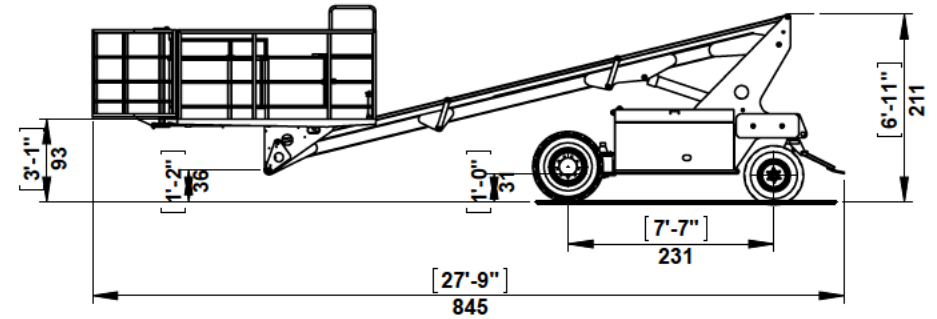
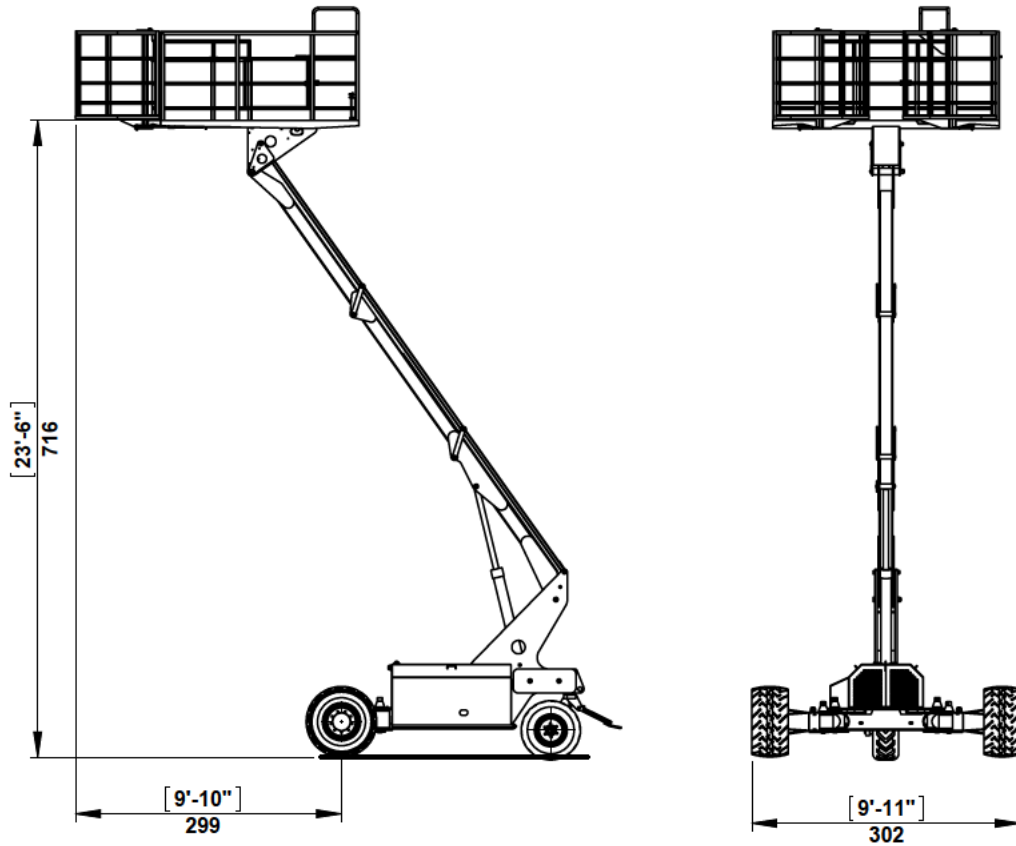
All proprietary rights reserved by TOL Incorporated. This drawing shall not be reproduced or in any way utilized, for the manufacture of the component or unit here in illustrated and must not be replaced to other parties without written consent by TOL Incorporated. Any infringement will be legally pursued.

Machine model: Platform HAS 900 ZP	
Dimension drawing	Version: 02.2015.00
As our policy is one of continuous improvement we reserve the right to change specification without notice and without incurring obligation.	Scale: 1:50
	Date: Feb.2015
Machine dimension may vary according to special option, tractor size (kit models), or special feature.	Sheet: 2 of 4
	All dimensions are rounded
Remarks: All dimensions are in dual properties: feet-inches & centimeters	



All proprietary rights reserved by TOL Incorporated. This drawing shall not be reproduced or in any way utilized, for the manufacture of the component or unit here in illustrated and must not be replaced to other parties without written consent by TOL Incorporated. Any infringement will be legally pursued.

Machine model: Platform HAS 900 ZP	
Dimension drawing	Version: 02.2015.00
As our policy is one of continuous improvement we reserve the right to change specification without notice and without incurring obligation.	Scale: 1:60
	Date: Feb.2015
Machine dimension may vary according to special option, tractor size (kit models), or special feature.	Sheet: 3 of 4
	All dimensions are rounded
Remarks: All dimensions are in dual properties: feet-inches & centimeters	



All proprietary rights reserved by TOL Incorporated. This drawing shall not be reproduced or in any way utilized, for the manufacture of the component or unit here in illustrated and must not be replaced to other parties without written consent by TOL Incorporated. Any infringement will be legally pursued.

Machine model:	Platform HAS 900 ZP
Dimension drawing	Version: 03.2015.00
As our policy is one of continuous improvement we reserve the right to change specification without notice and without incurring obligation.	Scale: 1:85
	Date: March.2015
	Sheet: 4 of 4
Machine dimension may vary according to special option, tractor size (kit models), or special feature.	All dimensions are rounded
Remarks: All dimensions are in dual properties: feet-inches & centimeters	